

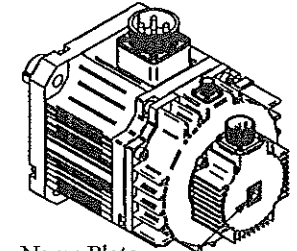
Model: JSMA-PIH30A7KB

No.	Item	Symbol	Unit	Specification	No.	Item	Symbol	Unit	Specification
1	Drive	-	-	3 $\phi$ 220 VAC	13	Rotor Inertia	Jm	kg-cm <sup>2</sup>	42.36 $\pm$ 10%
2	Cooling Method	-	-	Totally Enclosed	14	Rated Power Rate	Q-R	Kw/s	86.12
3	Exciting Method	-	-	Permanent Magnet	15	Resistance	Ra	$\Omega$	0.275 $\pm$ 10%/2 $\phi$
4	Resolution	-	-	17BIT-INC	16	Inductance	L	mH	6.8 $\pm$ 10%/2 $\phi$
5	Rated Output	P-R	W	3000	17	Mech. Time Constant	Tm	ms	1.12 $\pm$ 10%
6	Rated Torque	T-R	N-m	19.1	18	Elect. Time Constant	Te	ms	24.69 $\pm$ 10%
7	Max. Torque	T-max	N-m	47.75	19	Insulation Class	-	-	Class F
8	Rated Speed	N-R	rpm	1500	20	Operation Temp.	T	$^{\circ}$ C	0-40
9	Rated Current	I-R	A	16	21	Operation Humd.	RH	%	<80
10	Max. Current	I-max	A	40	22	Storage Temp.	T	$^{\circ}$ C	-20 $\sim$ -60 $^{\circ}$
11	Torque Constant	Kt	N-m/A	1.19 $\pm$ 10%	23	Storage Humd.	RH	%	<80
12	Voltage Constant	Ke	V/krpm	79.3 $\pm$ 10%	24	Weight	W	kgw	21.0

Pin	Signal
B	Vcc
I	Gnd
A	U
C	V
H	SD+
D	SD-
G	W
E	FG
F	FG

Pin	Signal
A	U
B	V
C	W
D	FG

Pin	Signal
A	0
B	24V
C	



Encoder Wiring

Motor Wiring

Brake Wiring

Name Plate for Notice

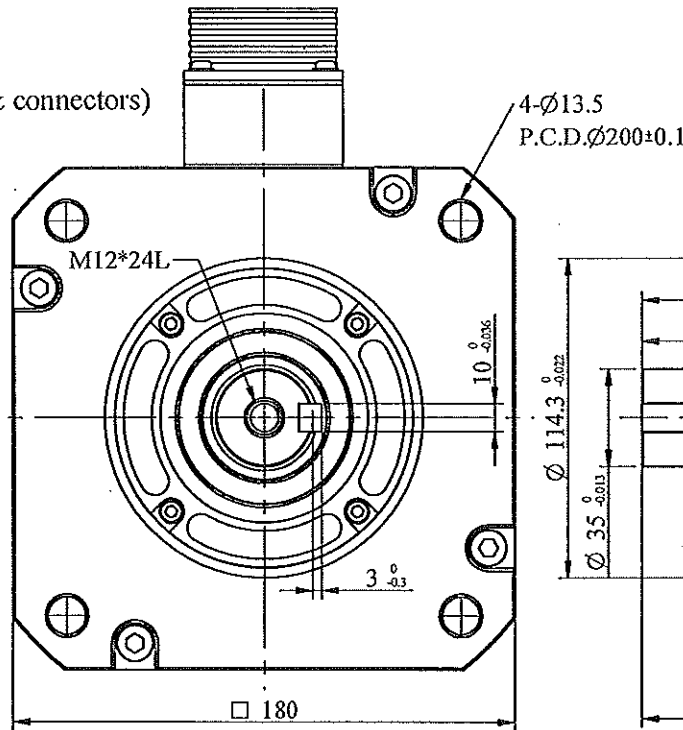
NOTE:  
Motor to be IP67.  
(excluding the shaft opening & connectors)



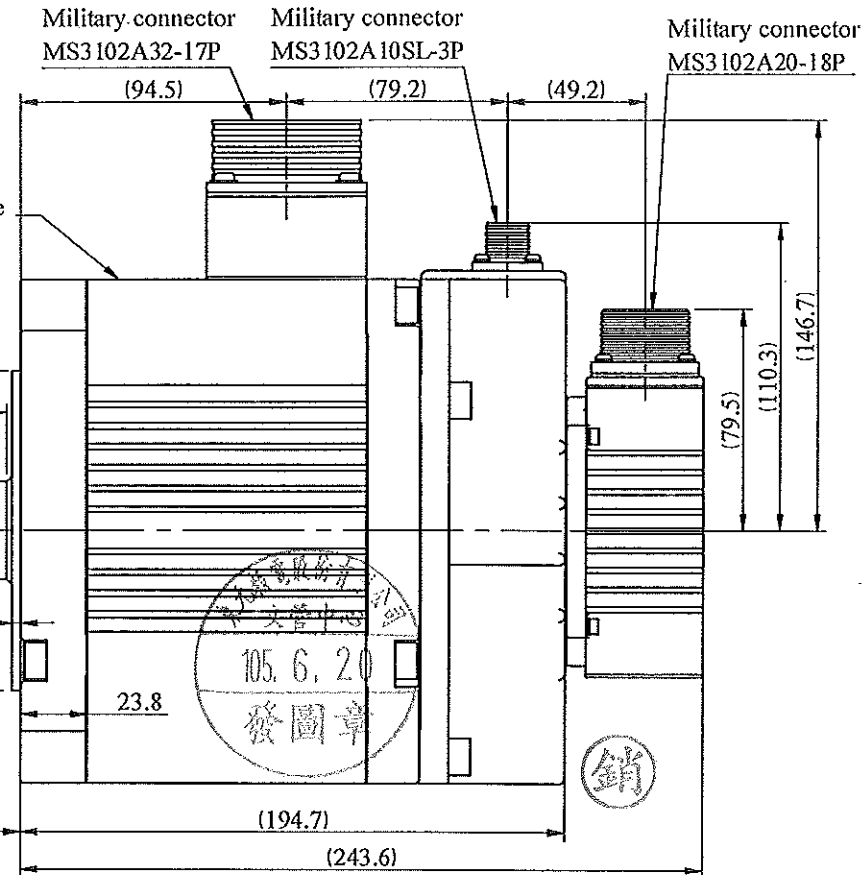
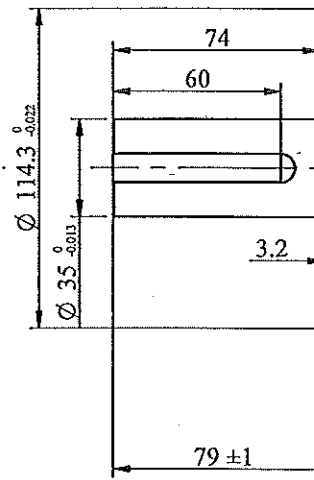
Name Plate for Notice

AC SERVO MOTOR	
Model:	JSMA-PIH30A7KB
Pr:	3.0 KW ; Nr: 1500 rpm
Ir:	16 A , Tr: 19.1 N-m
NO.	
TECO ELECTRIC MACHINERY CO., LTD. MADE IN TAIWAN	

Name Plate for Spec



Name Plate for Spec



STANDARD TOLERANCE

X	$\pm$ 0.5
.X	$\pm$ 0.2
.XX	$\pm$ 0.05
ANGLE	$\pm$ 30'

APVD	<i>Z=76/16</i>
CHKD	<i>Michelle 6/16/16</i>
CHKD	
DWN	Chase 06-15-16

SCALE

3RD .A.P

UNIT

m m

NAME

Servo Motor Outline Drawing

TITLE

JSMA-PIH30A7KB

MATERIAL	REV	DESCRIPTION	SIGNATURE	DATE

SIGNATURE	DATE

TECO ELECTRO DEVICES CO., LTD.

Dept Design

DWG.NO.

D01B18302H3B7AD01